

POM-Clips with elastomer

Slip-free conveyance process

For the conveyance of particularly delicate goods as well as for goods that slip easily, WIPPERMANN offers plastic clips with an overlay made of thermo-plastic elastomer (TPU) with a hardness of approximately 85 Shore A.

These clips significantly increase the adhesion friction coefficient between the conveyed item and the clip, and they can therefore ensure an absolutely slip-free conveyance process. On customers' request, hardness grades between 50 Shore A and 90 Shore A can be supplied.

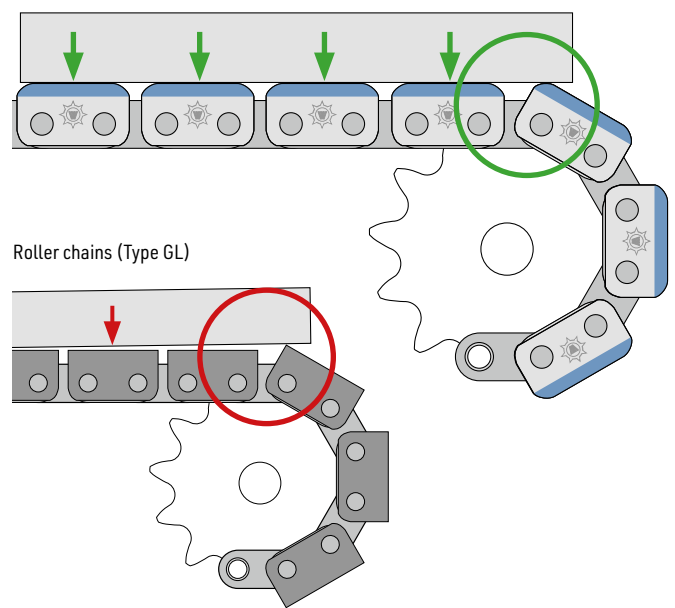
Technical features

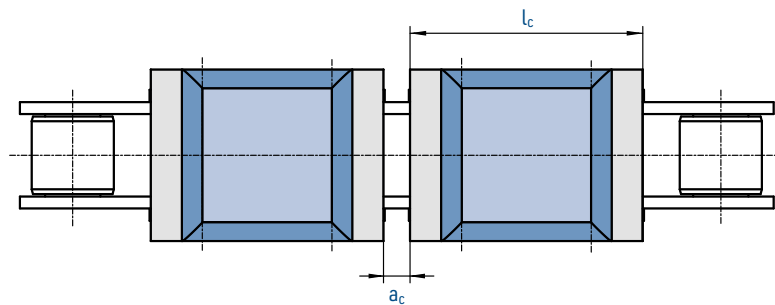
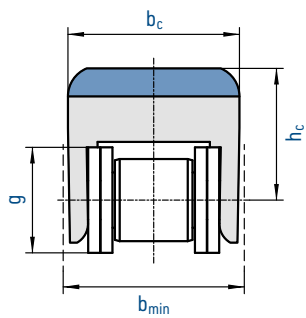
- POM-Clip: stiff, durable, impact resistant
- TPU-top: 85 Shore A
- Perfect junction between POM-Clip and TPU-top
- High friction, high abrasion resistance
- Max. sustained temperature 80°C
- Resistant against most oils and greases
- Low danger of hydrolysis

Benefits for application

- For chain 462GL, 513GL, 548GLS including MARATHON and Stainless Steel
- Basic clip POM, top surface TPU (85 Shore A)
- Protect sensitive goods from damage by the chain
- No edge pressure at transfer points (see picture)
- High coefficient of friction between clip and conveyed good
- High load capacity
- Mounting of connecting links with POM-clip and without spring clip

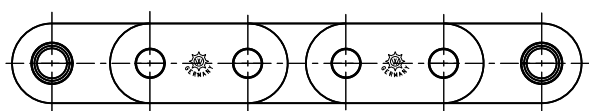
Roller chain (type GL) with POM clip including TPU overlay



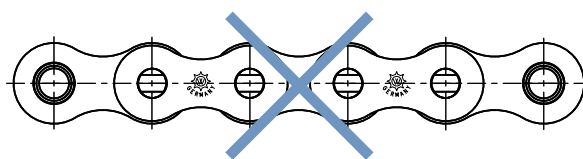


Chain			Plate height						max. vertical load per clip
⚙		ISO	g	a _c	b _c	b _{min}	h _c	l _c	
No.	Ind.	Nr.	mm	mm	mm	mm	mm	mm	kg
462 GL		08 B-1	11,5	3,4	19,5	22,0	13,0	21,9	70
513 GL		12 B-1	15,5	3,9	25,4	28,0	20,0	34,2	110
548 GLS		16 B-1	21,0	5,1	40,5	45,0	21,5	45,7	140

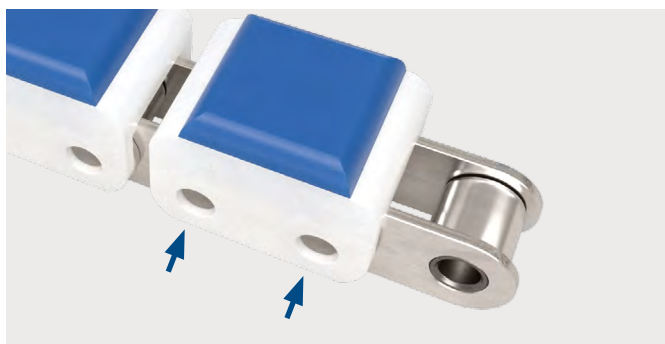
Assembly of the clips at room temperature (> 15°C)
Connectors consisting of no. 7 and connecting plate.



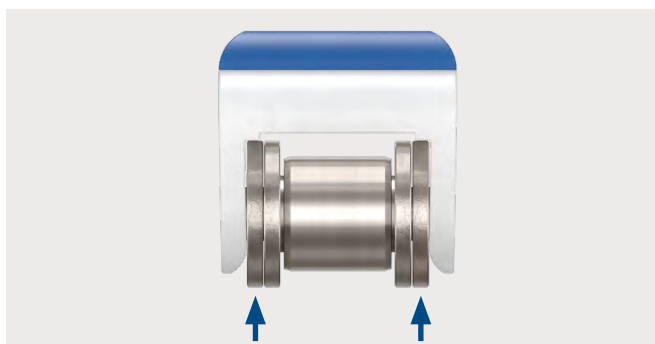
Correct chain for plastic clips
(Type series GL, preferably unriveted)



Wrong chain for plastic clips



Fixing by pin extension, preferably chains unriveted or with extended pins



Top surfaces of the straight plates bear the load