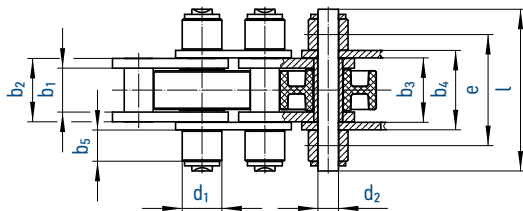
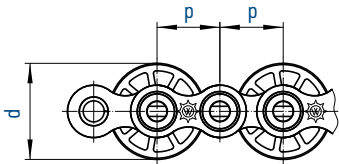
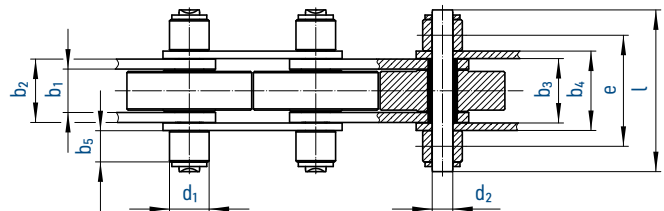
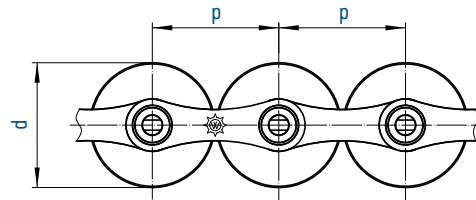




Design E



Double pitch chain Design L



Chain	Pitch	Design	Inner width	Inner link width	Width		Support roller $\varnothing$	Pin $\varnothing$	Transverse pitch	Plate height	Width over pin	Support roller width	Width over pin Type l	Support roller width	
					between outer plates	over outer plates									
	p		$b_1$ min.	$b_2$ max.	$b_3$ min.	$b_4$ max.	$d_1$	$d_2$ max.	e	g max.	l max.	$b_5$ max.	l max.	$b_5$ max.	
No.	Ind.	mm	mm	mm	mm	mm	mm	mm	mm	mm	mm	mm	mm	mm	
513 SF MA		19,05	E	11,68	15,62	15,80	20,0	12,00	5,72	31,50	16,1	48,0	11,5	43,0	9,0
548 SF MA		25,40	E	17,02	25,45	25,81	32,0	15,88	8,28	44,50	21,0	65,0	12,5	-	-
722 SF MA		38,10	L	11,68	15,62	15,80	20,0	12,00	5,72	31,50	16,1	48,0	11,5	-	-
728 SF MA		50,80	L	17,02	25,45	25,81	32,0	15,88	8,28	44,50	21,0	65,0	12,5	-	-
D 513 SF MA		19,05	D	11,68	15,62	15,80	20,0	12,07	5,72	52,00	16,1	68,0	11,5	-	-
D 548 SF MA		25,40	D	17,02	25,45	25,81	32,0	15,88	8,28	76,76	21,0	97,0	12,5	-	-
T 513 SF MA		19,05	T	11,68	15,62	15,80	20,0	12,07	5,72	38,92	16,1	61,7	-	-	-
T 548 SF MA		25,40	T	17,02	25,45	25,81	32,0	15,88	8,28	63,76	21,0	99,9	-	-	-

Sprockets are available for all accumulator chains!

Connecting links with securing circlips.

Our connecting links always have the same length l as the ordinary pins.

Temperature range: - 30 to 100°C for steel conveyor rollers

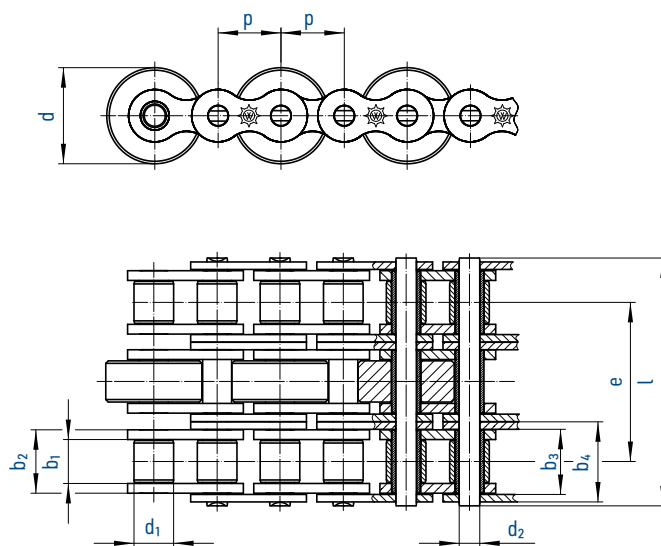
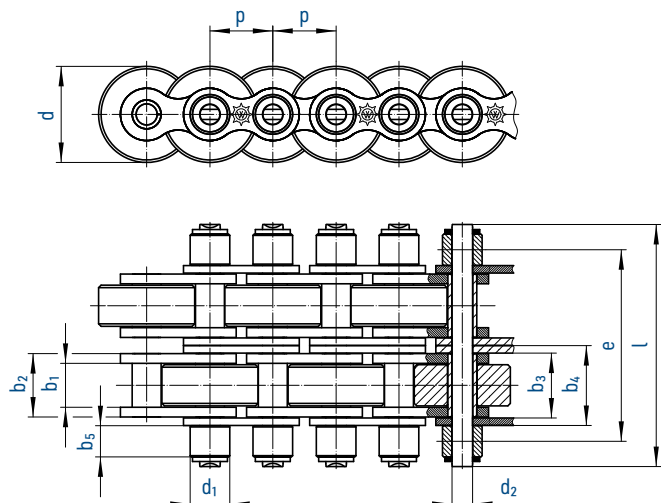
- 10 to 60°C for plastic conveyor rollers

For information on AFS clips for optimal equipment and finger protection see page 75.



Design D

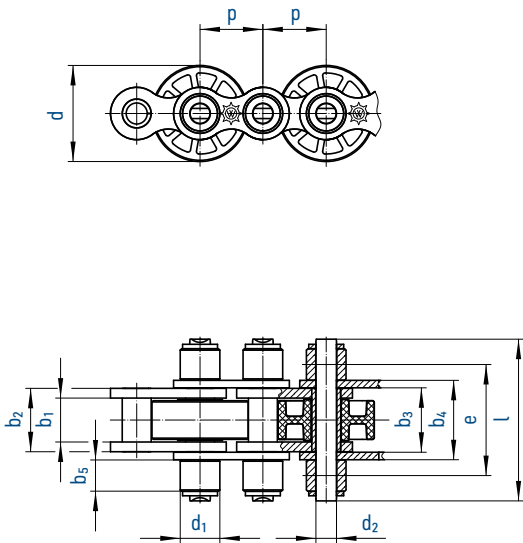
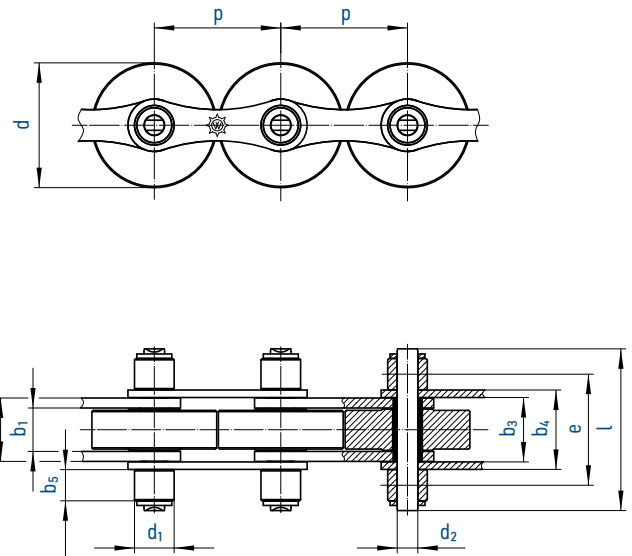
Design T



Width over pin Type II  l max. mm.	Support roller width  b <sub>5</sub> max. mm.	Conveyor rollers						Breaking load  F <sub>B</sub> min. kN	Maximum load per m conveyor chain with 10 m conveyor length	
		Designation for material			Diameter				Steel	Plastic
		Steel	PA 6.6	Vestamide	d	Type I d	Type II d			
40,0	7,5	SF	SFK	SFV	24,0	26,0	28,0	29,0	300	260
-	-	SF	SFK	SFV	38,5	-	-	60,0	600	500
-	-	SF	SFK	SFV	24,0	26,0	28,0	29,0	300	260
-	-	SF	SFK	SFV	38,5	40,0	50,0	60,0	600	500
-	-	SF	SFK	SFV	24,0	26,0	28,0	57,8	600	520
-	-	SF	SFK	SFV	38,5	-	-	120,0	1200	1000
-	-	SF	SFK	SFV	24,0	26,0	28,0	60,0	600	260
-	-	SF	SFK	SFV	38,5	-	-	120,0	1200	500

The load per m applies for 10 m conveyor length per double chain strand. The load may be proportionally increased for shorter chain lengths and must be proportionally decreased for longer conveyor distances: e.g. 5 m conveyor distance = double load, 20 m conveyor distance = half load.

Maximum conveyor distances 25 - 30 m. The installation of guide plates is recommended as of 15 m. (see page 74).

**Design E**

**Double pitch roller chain Design L**


Chain		Pitch	Design	Inner width	Inner link width	Width between   over outer plates		Support roller Ø	Pin Ø	Transverse pitch	Plate height	Width over pin	Support roller width	Width over pin type I	Support roller width
		p		b <sub>1</sub> min.	b <sub>2</sub> max.	b <sub>3</sub> min.	b <sub>4</sub> max.	d <sub>1</sub>	d <sub>2</sub> max.	e	g max.	l max.	b <sub>5</sub> max.	l max.	b <sub>5</sub> max.
No.	Ind.	mm		mm	mm	mm	mm	mm	mm	mm	mm	mm	mm	mm	mm
<b>513 SF</b>		19,050	E	11,68	15,62	15,80	20,0	12,00	5,72	31,50	16,1	48,0	11,5	43,0	9,0
<b>548 SF</b>		25,400	E	17,02	25,45	25,81	32,0	15,88	8,28	44,50	21,0	65,0	12,5	-	-
<b>722 SF</b>		38,100	L	11,68	15,62	15,80	20,0	12,00	5,72	31,50	16,1	48,0	11,5	-	-
<b>728 SF</b>		50,800	L	17,02	25,45	25,81	32,0	15,88	8,28	44,50	21,0	65,0	12,5	-	-
<b>D 513 SF</b>		19,050	D	11,68	15,62	15,80	20,0	12,07	5,72	52,00	16,1	68,0	11,5	-	-
<b>D 548 SF</b>		25,400	D	17,02	25,45	25,81	32,0	15,88	8,28	76,76	21,0	97,0	12,5	-	-
<b>T 455 SF</b>	<sup>27</sup>	9,525	T	5,72	8,53	-	-	6,35	3,28	20,48	8,2	34,0	-	-	-
<b>T 513 SF</b>		19,050	T	11,68	15,62	15,80	20,0	12,07	5,72	38,92	16,1	61,7	-	-	-
<b>T 548 SF</b>		25,400	T	17,02	25,45	25,81	32,0	15,88	8,28	63,76	21,0	99,9	-	-	-

**Accumulator chains (stainless steel)**

<b>513 SF RF</b>		19,050	E	11,68	15,62	15,80	20,0	12,00	5,72	31,50	16,1	48,0	11,5	43,0	9,0
<b>548 SF RF</b>		25,400	E	17,02	25,45	25,81	32,0	15,88	8,28	44,50	21,0	65,0	12,5	-	-
<b>722 SF RF</b>		38,100	L	11,68	15,62	15,80	20,0	12,00	5,72	31,50	16,1	48,0	11,5	-	-
<b>728 SF RF</b>		50,800	L	17,02	25,45	25,81	32,0	15,88	8,28	44,50	21,0	65,0	12,5	-	-
<b>T 513 SF RF</b>		19,050	T	11,68	15,62	-	-	12,07	5,72	38,92	16,1	61,7	-	-	-
<b>T 548 SF RF</b>		25,400	T	17,02	25,45	-	-	15,88	8,28	63,76	21,0	99,9	-	-	-

<sup>27</sup> Different from the drawing: No inner links in the middle strand! Roller width: 8,5 mm.

Sprockets are available for all accumulator chains!

Connecting links with securing circlips.

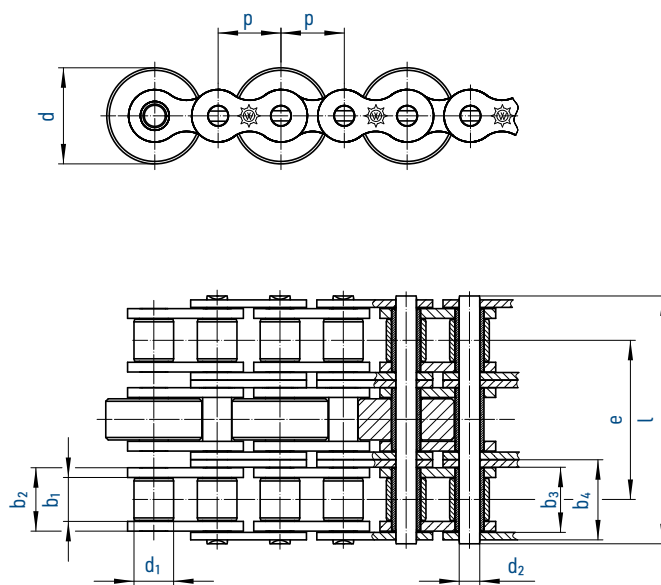
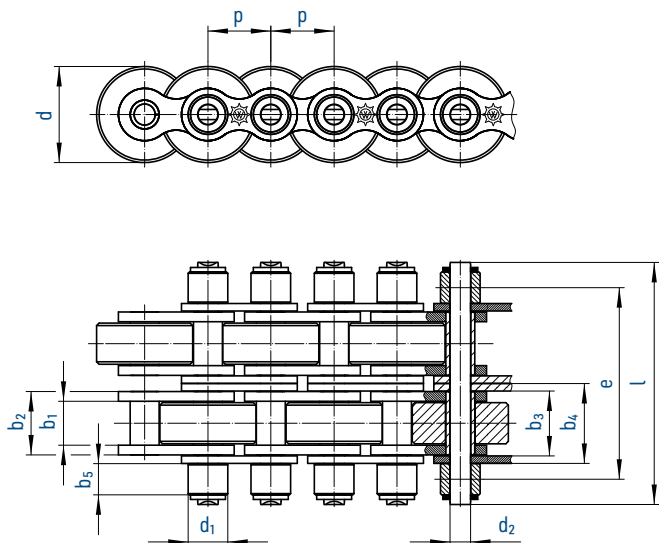
Our connecting links always have the same length l as the ordinary pins.

Temperature range: - 30 to 100°C for steel conveyor rollers

- 10 to 60°C for plastic conveyor rollers

### Design D

### Design T



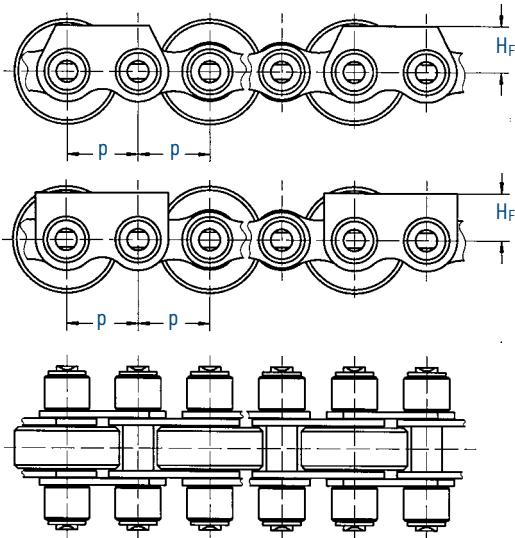
Width over pin type II  l max.  mm.	Support roller width  b <sub>5</sub> max.  mm	Conveyor rollers						Breaking load ⚙️ F <sub>B</sub> min.  kN	Maximum load per m conveyor chain with 10 m conveyor length	
		Designation for material			Diameter				Steel	Plastic
		Steel	PA 6.6	Vestamide	d	type I d	type II d			
40,0	7,5	SF	SFK	SFV	24,0	26,0	28,0	29,00	300	260
-	-	SF	SFK	SFV	38,5	-	-	60,00	600	500
-	-	SF	SFK	SFV	24,0	26,0	28,0	29,00	300	260
-	-	SF	SFK	SFV	38,5	40,0	50,0	60,00	600	500
-	-	SF	SFK	SFV	24,0	26,0	28,0	57,80	600	520
-	-	SF	SFK	SFV	38,5	-	-	120,00	1200	1000
-	-	SF	SFK	SFV	9,2	15,0	-	16,80	100	100
-	-	SF	SFK	SFV	24,0	26,0	28,0	60,00	600	260
-	-	SF	SFK	SFV	38,5	-	-	120,00	1200	500

#### Accumulator chains (stainless steel)

40,0	7,5	SF RF	SFK RF	SFV RF	24,0	26,0	28,0	18,50	200	200
-	-	SF RF	SFK RF	SFV RF	38,5	-	-	40,00	300	300
-	-	SF RF	SFK RF	SFV RF	24,0	26,0	28,0	18,50	200	200
-	-	SF RF	SFK RF	SFV RF	38,5	40,0	50,0	40,00	300	300
-	-	SF RF	SFK RF	SFV RF	24,0	26,0	28,0	31,45	400	400
-	-	SF RF	SFK RF	SFV RF	38,5	-	-	68,00	600	600

The load per m applies for 10 m conveyor distance per double chain strand. The load may be proportionally increased for shorter chain strands and must be proportionally decreased for longer conveyor distances: e.g. 5 m conveyor distance = double load, 20 m conveyor distance = half load.

Maximum conveyor distances 25 - 30 m. The installation of guide plates is recommended as of 15 m (see page 74).

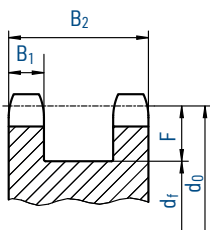

**513 SF**
**548 SF**

The guide plate distance is an even multiple of the pitch, e.g.  $T = 4p$

Chain	p	H <sub>F</sub>	
No.	mm	mm	mm
<b>513 SF</b>	19,05	10,7	± 0,1
<b>548 SF</b>	25,40	18,0	± 0,1

Design with guide plates

### Axial profile of sprockets for accumulator chains

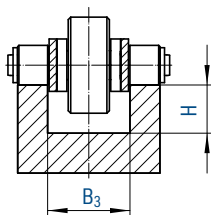


$$d_f = d_0 - 2F$$

Chain	B <sub>1</sub>	B <sub>2</sub>	F
No.	mm	mm	mm
<b>T 455</b>	5,2	25,7	8,0
<b>513 SF</b>	10,6	42,0	16,0
<b>D 513 SF</b>	10,6	62,6	16,0
<b>T 513 SF</b>	10,8	88,6	16,0
<b>548 SF</b>	12,0	56,5	22,0
<b>D 548 SF</b>	12,0	88,8	22,0
<b>T 548 SF</b>	15,8	79,6	22,0
<b>722 SF</b>	10,6	42,0	16,0
<b>728 SF</b>	12,0	56,6	27,0

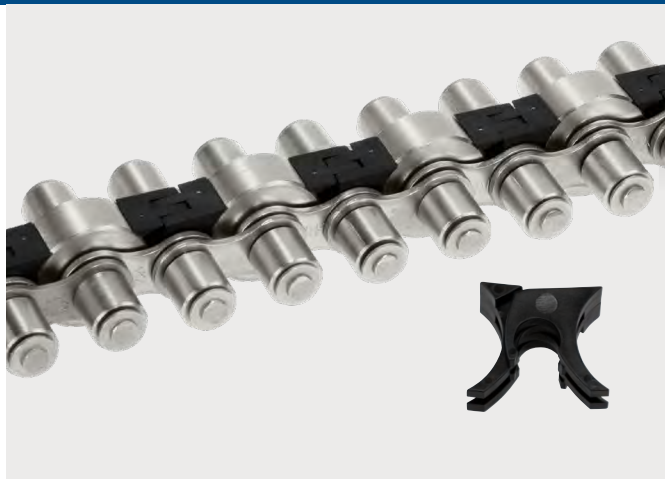
Sprockets are available for all accumulator chains.

### Chain guide for accumulator chains

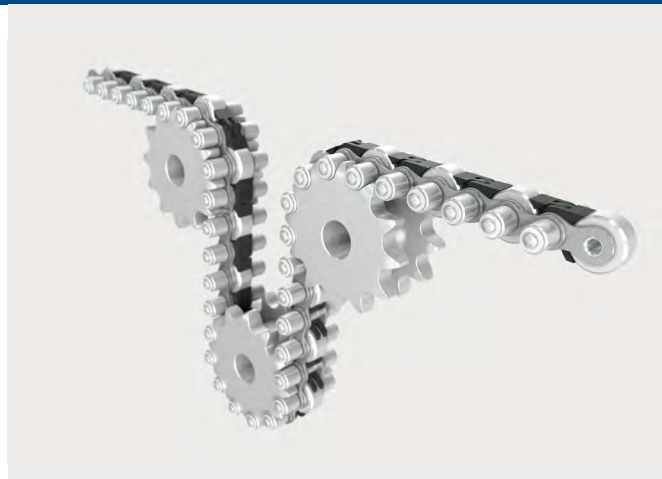


Chain	B <sub>3</sub>	H
No.	mm	mm
<b>513 SF</b>	20,8	15,0
<b>513 SFK</b>	20,8	15,0
<b>D 513 SF</b>	40,5	15,0
<b>548 SF</b>	33,0	20,0
<b>D 548 SF</b>	66,0	20,0
<b>722 SF</b>	20,8	15,0
<b>728 SF</b>	33,0	27,0

Different designs, roller diameters and pin lengths are available on request



Accumulator chain with AFS-Clip



Omega drive

## Accumulator chain AFS – optimal equipment and finger protection

- Prevents small parts from entering into gaps between conveyor rollers
- Increases operational safety
- Covers danger zone in chain deflection range as well
- Both-way deflections (e.g. with omega drives) still possible
- Can be supplied with different diameters and in various materials

Accumulator chains have a so-called conveyor roller on every other pitch. This is required for the transport of the material to be conveyed and ensures the smoothly running of the chain under the goods during accumulation without damaging them.

The chain link joint between the conveyor rollers constitutes a larger gap into which small parts might enter and then damage the chain or the entire system. Depending on the respective application area,

there is also the danger of fingers reaching into these gaps and thus causing injuries.

An accumulator chain with AFS clip ensures a trouble-free operation of conveyance and assembly systems and contributes considerably to operational safety according to effective machinery directives. For due to the flat design of the AFS clip the gap between the conveyor rollers is completely closed. The two-piece clip is mounted by snapping it onto the chain bushing of the inner link also covering the danger zone in the deflection range of the chain. Therefore both-way deflections, e.g. with omega drives, are still possible.

Depending on the respective application, conveyor rollers with different diameters made of various materials (steel, PA 6.6, PA 12 antistatic) can be supplied.

Accumulator chains can also be supplied in stainless steel, as maintenance-free MARATHON chains as well as in duplex or triplex designs.

## AFS-Clips – Retrofitting for safety

For standard accumulator chains with conveyor roller diameters of 24 mm and 26 mm



The two-piece clip is mounted by simply snapping it onto the chain bushing of the inner link.

Due to the flat design of the AFS clip the construction-related gap between the conveyor rollers is completely closed. Hence equipment and finger protection is considerably increased.

Retrofitting of this innovative and easily mountable protective safety feature is possible for every standard accumulator chain with conveyor roller diameters of 24 mm and 26 mm. The two-piece clip is mounted by simply snapping it onto the chain bushing of the inner link. No tools are necessary since the pieces can easily be snapped directly onto the chain from the top. The correct position is guaran-

teed by a clear locking in place of the clip during mounting. Owing to its innovative hinge system it also covers the danger zone in the deflection range of the chain. Therefore both-way deflections, e.g. for omega drives, are possible.

Thus the wear-resistant AFS clips ensure a trouble-free operation of conveyance and assembly systems and contribute considerably to operational safety according to effective machinery directives.