

SPANN-BOX® size 0

SPANN-BOX® und SPANN-BOY®

Automatic chain drive tensioning

Not only correct lubrication and wheel alignment, but also chain re-tensioning to compensate for elongation is of crucial importance for a satisfactory life cycle of a chain drive.

Apart from chain tension wheels, our chain tensioners SPANN-BOY® and SPANN-BOX® offer perfect solutions. Due to different sizes and profiles they cover almost all application areas.

For controlling purposes SPANN-BOY® and SPANN-BOX® can be fitted with limit or proximity switches.

We can also supply SPANN-BOY® and SPANN-BOX® with casings or springs made of stainless steel.



SPANN-BOY®



SPANN-BOX® size 1
with deflecting profile



SPANN-BOX® size 1
with arch profile



SPANN-BOX® size 1 (type KL)
with sprocket



SPANN-BOX® size 1 (type KS)
with sprocket



SPANN-BOX® size 2
with block profile



Chain No.	Pitch mm	Arch profile				Semicircle profile				Deflecting profile				Block profile				Sprocket				
		Size				Size				Size				Size				Size				
		SPANN-BOY®				SPANN-BOY®				SPANN-BOY®				SPANN-BOY®				SPANN-BOY®				
		0	30	1	2	0	30	1	2	0	30	1	2	0	30	1	2	0	30	1	2	
not mentioned chains with width up to 15 mm						X	X															
455	9,525			X		X	X					X								X	X	
D 455	9,525	X	X			X	X					X										
T 455	9,525	X	X			X	X					X										
462	12,7	X	X			X	X					X								X	X	
D 462	12,7	X	X	X		X	X	X				X	X									
T 462	12,7	X	X	X				X	X			X	X									
501	15,875	X	X			X	X					X								X	X	
D 501	15,875	X	X	X		X		X	X			X	X									
T 501	15,875	X	X	X				X				X	X									
513	19,05	X	X	X		X		X	X			X	X							X	X	
D 513	19,05	X	X	X				X	X			X	X									
T 513	19,05			X	X								X									
548	25,4	X	X	X				X				X	X									
D 548	25,4			X	X																X	
T 548	25,4			X																	X	
563	31,75			X	X								X									
D 563	31,75				X																X	
T 563	31,75				X																X	
596	38,1				X																X	
D 596	38,1				X																X	
T 596	38,1																				X	
613	44,45																				X	
D 613	44,45																				X	
T 613	44,45																				X	
652	50,8																				X	
D 652	50,8																				X	
T 652	50,8																				X	
671	63,5																				X	
D 671	63,5																				X	
T 671	63,5																				X	
679	76,2																				X	
D 679	76,2																				X	
T 679	76,2																				X	

Tension values and range of shift

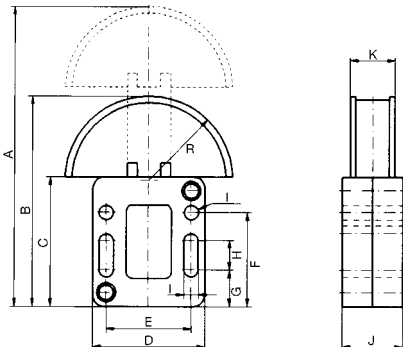
Size	SPANN-BOY®		SPANN-BOX® size 0		SPANN-BOX® size 30 or 1		SPANN-BOX® size 2	
Range of shift	40 mm		40 mm		40 mm		60 mm	
Spring design	light	heavy	light	heavy	light	heavy	light	heavy
Tension force	N	N	N	N	N	N	N	N
1 spring released	58 - 32	132 - 60	58 - 32	132 - 60	58 - 32	132 - 60	148 - 82	262 - 116
2 springs released	-	-	-	-	116 - 64	264 - 120	296 - 164	524 - 236
3 springs released	-	-	-	-	174 - 96	396 - 180	444 - 246	786 - 454

The chain weight should not be higher than the force of a spring already released by 50%.
The second and the third spring may be activated later if required.

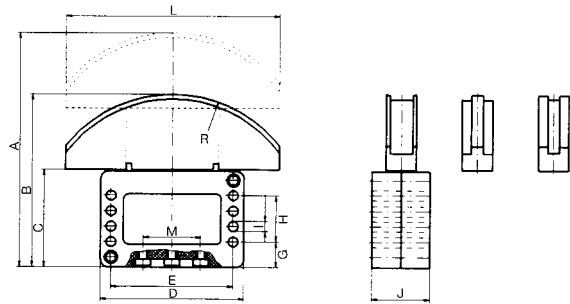
Further combinations and profiles made to specification are also available.



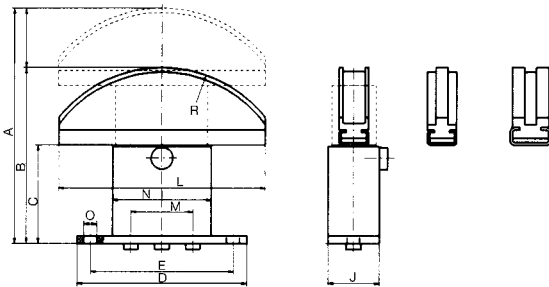
SPANN-BOX® size 0



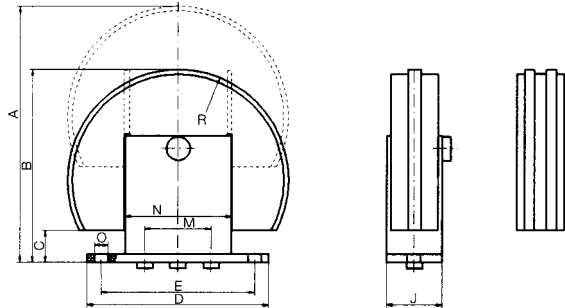
SPANN-BOX® size 30 with arch profile



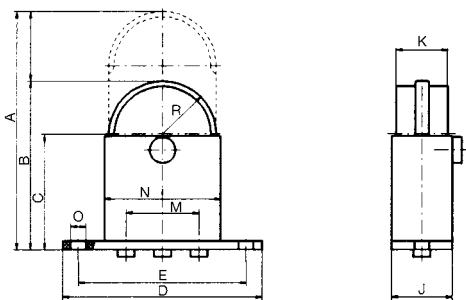
SPANN-BOX® size 1 and 2 with arch profile



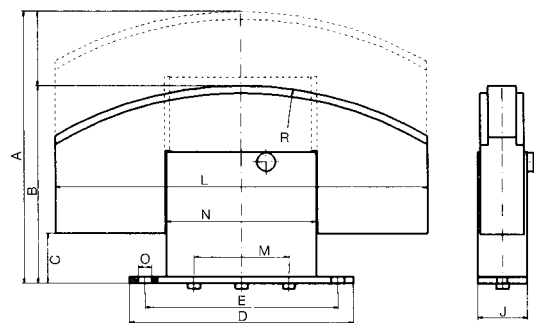
SPANN-BOX® size 1 and 2 with deflecting profile



SPANN-BOX® size 1 and 2 with semicircle profile



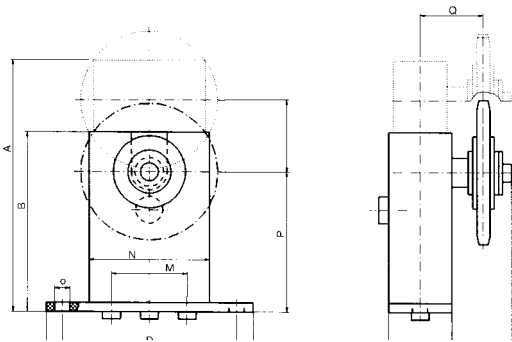
SPANN-BOX® size 2 with block profile



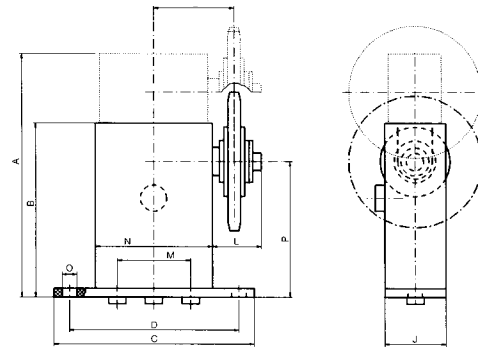
Dimensions	Ind.	A	B	C	D	E	F	G	H	I	J	K	L	M	N	O	R
Size 0		134,0	94,0	58,0	50	38	42	16,2	12,9	6,5	27	20	-	-	-	-	37,5
Size 30		152,5	112,5	63,5	94	80	-	16,5	30,0	6,5	38	-	140	38	-	-	90,0
Size 1, arch profile		158,0	118,0	66,0	115	97	-	-	-	-	35	-	140	42	67	8,5	90,0
Size 1, arch profile	*	173,0	133,0	81,0	115	97	-	-	-	-	40	-	140	42	67	8,5	90,0
Size 1, semicircle profile		137,0	97,0	66,0	115	97	-	-	-	-	35	30	-	42	67	8,5	31,0
Size 1, semicircle profile	*	152,0	112,0	81,0	115	97	-	-	-	-	40	30	-	42	67	8,5	31,0
Size 1, deflecting profile		162,0	122,0	20,0	115	97	-	-	-	-	35	-	-	42	67	8,5	70,0
Size 2, arch profile		209,0	149,0	86,0	180	155	-	-	-	-	40	-	200	76	120	11,0	150,0
Size 2, arch profile	*	229,0	169,0	106,0	180	155	-	-	-	-	40	-	200	76	120	11,0	150,0
Size 2, semicircle profile		203,0	143,0	86,0	180	155	-	-	-	-	40	35	-	76	120	11,0	57,0
Size 2, semicircle profile	*	223,0	163,0	106,0	180	155	-	-	-	-	40	35	-	76	120	11,0	57,0
Size 2, deflecting profile		225,0	165,0	40,0	180	155	-	-	-	-	40	-	-	76	120	11,0	100,0
Size 2, block profile		218,0	158,0	40,0	180	155	-	-	-	-	40	-	300	76	120	11,0	300,0

* long casing

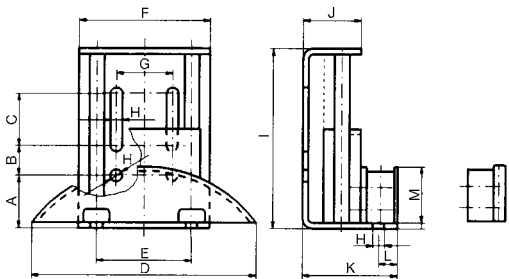
SPANN-BOX® Size 1 with sprocket type KL



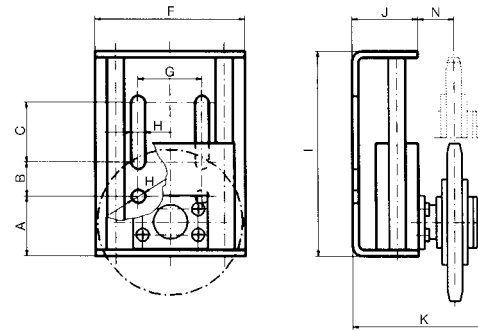
SPANN-BOX® Size 1 with sprocket type KS



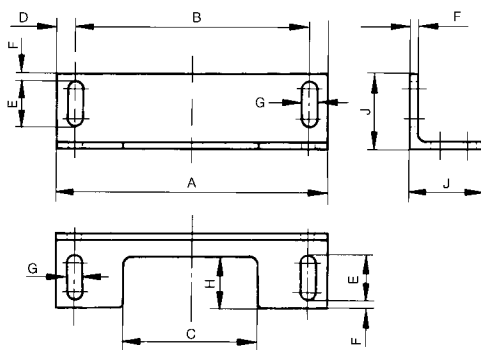
SPANN-BOY® with arch profile



SPANN-BOY® with sprocket



Mounting bracket for SPANN-BOX® size 1 and 2



Standard sprockets

Chain-No.	Number of teeth			
	20	21	23	
455	20	21	23	
462	16	17	18	
501	14	15	16	17
513	13	15	16	17

Dimensions	A	B	C	D	E	F	G	H	I	J	K	L	M	N	O	P	Q
SPANN-BOX® size 1 (type KL)	140	100	115	97,0	-	-	-	-	-	35	8,5	35 max.	42	67	8,5	78	35
SPANN-BOX® size 1 (type KS)	140	100	115	97,0	-	-	-	-	-	35	8,5	30 max.	42	67	8,5	78	46
Bracket size 1	115	97	60	9,0	25,0	5	8,5	30,0	-	45	-	-	-	-	-	-	-
Bracket size 2	180	155	90	12,5	30,0	5	11,0	35,0	-	50	-	-	-	-	-	-	-
SPANN-BOY® (arch profile)	28	16	28	120,0	50,8	70	30,0	6,4	96	31	51,0	10	30	-	-	-	-
SPANN-BOY® (with sprocket)	28	16	28	-	-	70	30,0	6,4	96	31	66,0 max.	-	-	17	-	-	-

SPANN-BOX® and mounting brackets made of stainless steel grade 1.4301 on request (Please note: different sizes!).