



POM-Clips

The best protection for sensitive goods

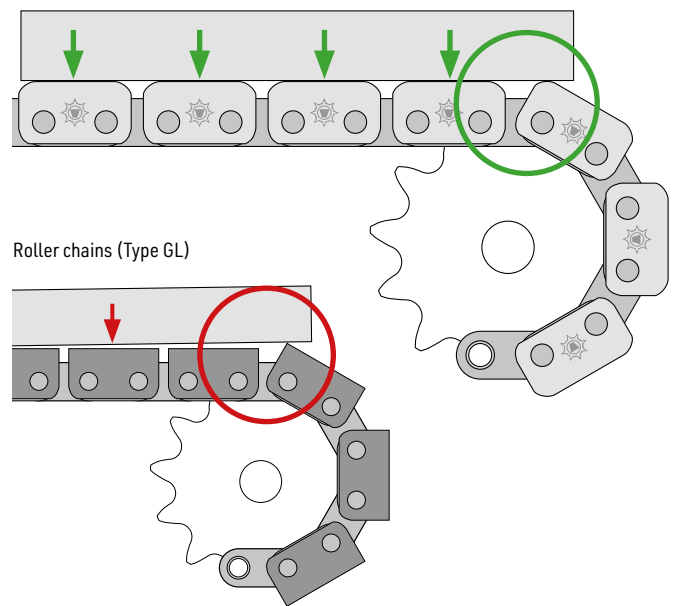
These clips are suitable for mounting on roller chains (type series GL) and prevent the direct contact between the chain and the items to be transported. Furthermore, they enlarge the contact surface and they are therefore able to guarantee a particularly safe conveyance process.

The special design of the plastic clips also prevents a possible tilting in the deflections of the chain conveyor. In order to strengthen the clip fixing even more and thus increase safety, WIPPERMANN recommends the use of unriveted roller chains.

Technical features

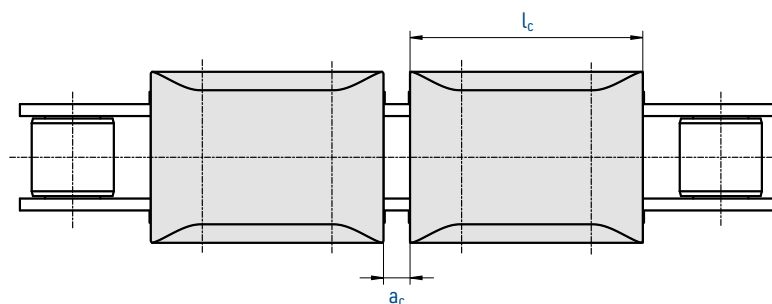
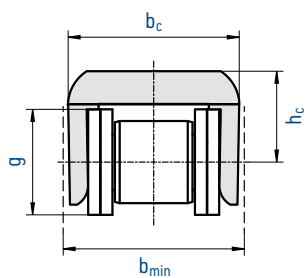
- Stiff and durable thermoplastic
- Impact resistant
- Wear resistant
- Friction coefficient $\mu = 0,15 \dots 0,3$ (against steel)
- Max. sustained temperature 80°C
- Food approved
- Alkali-proof
- Hot-water-proof
- Not resistant against strong acids (pH < 4)
- Insoluble in many solvents, fuel and mineral oil
- Low bulking

Roller chains (Type GL) with POM-Clip



Benefits for application

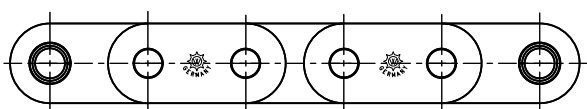
- For simplex and duplex roller chains
- Protect sensitive goods from damage by the chain
- Wear resistant and durable POM
- No edge pressure at transfer points (see picture)
- High load capacity per clip
- Black clips for connecting links (mounting without spring clip)



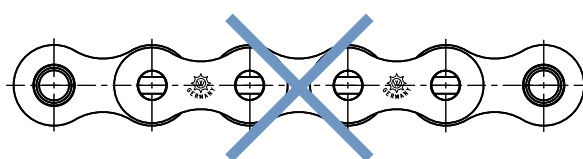
Chain			Plate height						max. vertical load per clip
☙		ISO	g	a _c	b _c	b _{min}	h _c	l _c	
No.	Ind.	Nr.	mm	mm	mm	mm	mm	mm	kg
462 GL		08 B-1	11,5	3,50	19,7	22,0	9,3	21,9	70
D 462 GL		08 B-2	11,5	3,50	33,7	36,0	9,3	21,9	140
501 GL		10 B-1	14,2	1,55	22,6	25,0	12,5	30,2	90
D 501 GL		10 B-2	14,2	1,55	39,3	42,0	12,5	30,2	180
513 GL		12 B-1	15,5	3,90	25,4	28,0	13,2	34,2	110
D 513 GL		12 B-2	15,5	3,90	45,3	48,0	13,2	34,2	220
548 GLS		16 B-1	21,0	5,10	40,5	45,0	18,5	45,7	140
548 GL		factory standard	24,0	5,10	40,5	45,0	18,5	45,7	140
548 R	³¹	16 B-1	21,0	1,8	40,5	45,0	16,0	49,0	140
563 GL		20 B-1	26,5	10,4	47,0	50,0	20,0	53,4	180

³¹ 31 PA6-GF30 light grey, for waisted plates chains

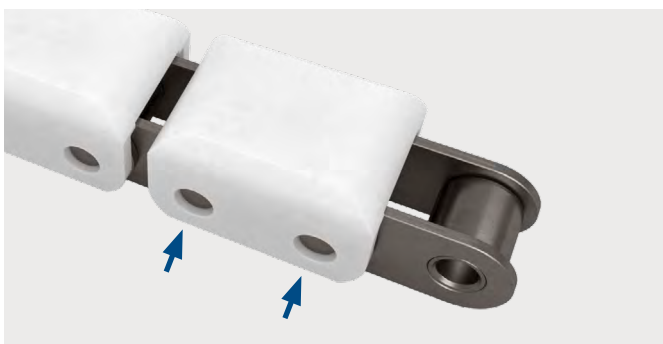
Assembly of the clips at room temperature (> 15°C)



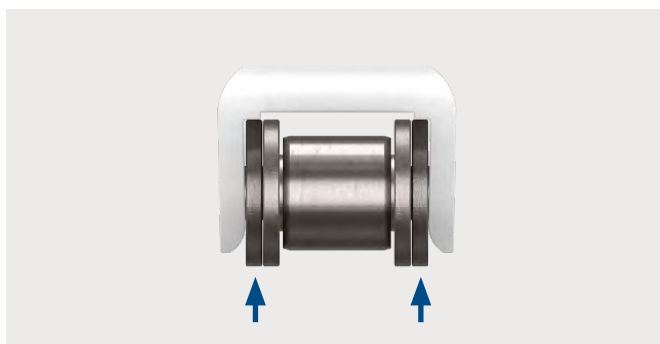
Correct chain for plastic clips
(Type series GL, preferably unriveted)



Wrong chain for plastic clips



Fixing by pin extensions, chains preferably unriveted



Top surface of the straight plates bear the load